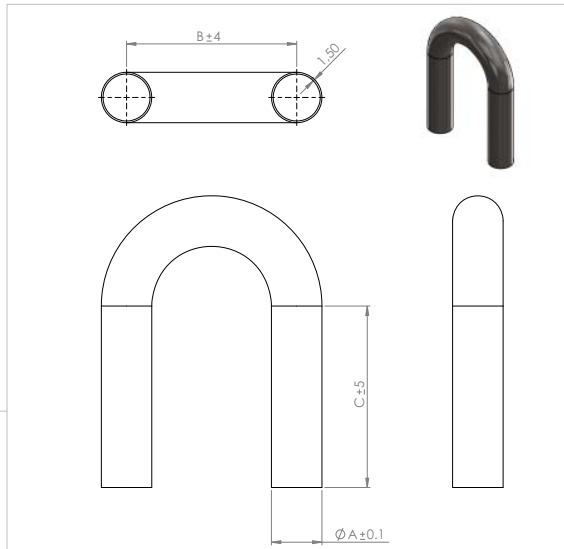


180 Degree Bends (no sleeve 1.5", 1.75", 2", 2.5", 3") / (with sleeve 42mm, 48mm):



Part No.	Description	A(O/D)	B	C	D	CLR	t
U023818/R	Bend (no sleeve)	38.0	120	76	-	60	1.5
U024518/R	Bend (no sleeve)	44.5	150	160	-	75	1.5
U025118/R	Bend (no sleeve)	50.8	170	160	-	85	1.5
U026318/R	Bend (no sleeve)	63.5	200	160	-	100	1.5
U027618/R	Bend (no sleeve)	76.1	240	160	-	120	1.5
	<i>Tolerance</i>	<i>±0.1mm</i>	<i>±4mm</i>	<i>±5mm</i>	-	<i>±2mm</i>	<i>±0.1mm</i>
U024218/R	Bend (with sleeve)	42	150	84	42.3	75	1.5
U024818/R	Bend (with sleeve)	48	150	96	48.3	75	1.5
	<i>Tolerance</i>	<i>±0.1mm</i>	<i>±4mm</i>	<i>±5mm</i>	<i>±0.2mm</i>	<i>±2mm</i>	<i>±0.1mm</i>

KEY

A = Pipe outside diameter (O/D)
B = Centre to centre of bend legs
C = Leg length
D = Inside diameter of swaged end
CLR = Centre line radius
t = Pipe thickness